

Sunmodule® *Protect SW 245 – 260 poly*



Produced in Germany,
the center for solar technology



TUV Power controlled:
Lowest measuring tolerance in industry



Above average weather-resistance and
robustness



Sunmodule Protect:
Positive performance tolerance



30 year linear performance warranty and
10 year product warranty



SolarWorld AG relies on Germany as its technology location, thereby ensuring sustainable product quality.

The TUV Rheinland Power controlled inspection mark guarantees that the nominal power indicated for solar modules is inspected at regular intervals and thus ensured. The deviation to TUV is maximum 2 percent.

Innovative glass technologies on front- and backside make extremely weather-resistant and robust solar modules possible. The Sunmodule Protect offers higher mechanical resilience and a longer service life, and still weighs the same as the Sunmodule Plus.

The positive power tolerance guarantees utmost system efficiency. Only modules achieving or exceeding the designated nominal power in performance tests are dispatched. The power tolerance ranges between -0 Wp and +5 Wp.

SolarWorld is setting new standards with the groundbreaking 30-year linear performance guarantee: a maximum degradation of just 0.35% p. a. provides guaranteed module performance of 90% after 21 years, and 86.85% after 30 years.



We turn sunlight into power.

Sunmodule® Protect SW 245 – 260 poly

PERFORMANCE UNDER STANDARD TEST CONDITIONS (STC)*

		SW 245	SW 250	SW 255	SW 260
Maximum power	P_{max}	245 Wp	250 Wp	255 Wp	260 Wp
Open circuit voltage	U_{oc}	37.3 V	37.6 V	38.0 V	38.4 V
Maximum power point voltage	U_{mpp}	30.1 V	30.5 V	30.9 V	31.4 V
Short circuit current	I_{sc}	8.75 A	8.81 A	8.88 A	8.94 A
Maximum power point current	I_{mpp}	8.22 A	8.27 A	8.32 A	8.37 A

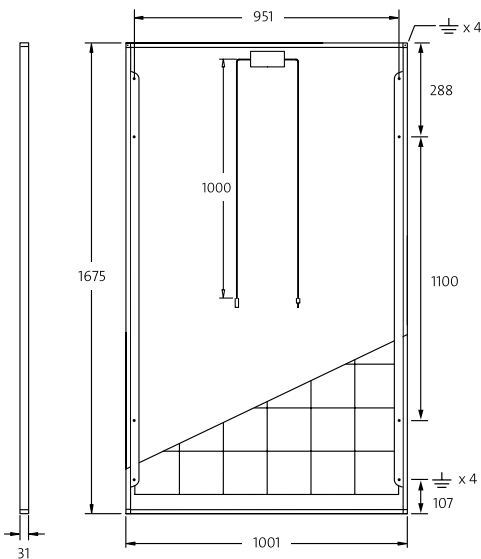
Measuring tolerance (P_{max}) traceable to TUV Rheinland: +/- 2% (TUV Power controlled)

*STC: 1000W/m², 25°C, AM 1.5

PERFORMANCE AT 800 W/m², NOCT, AM 1.5

		SW 245	SW 250	SW 255	SW 260
Maximum power	P_{max}	181.7 Wp	184.9 Wp	188.1 Wp	191.9 Wp
Open circuit voltage	U_{oc}	34.2 V	34.4 V	34.8 V	35.0 V
Maximum power point voltage	U_{mpp}	27.6 V	27.9 V	28.3 V	28.7 V
Short circuit current	I_{sc}	7.07 A	7.12 A	7.18 A	7.23 A
Maximum power point current	I_{mpp}	6.58 A	6.62 A	6.66 A	6.70 A

Minor reduction in efficiency under partial load conditions at 25°C: at 200 W/m², 100% (+/-2%) of the STC efficiency (1000 W/m²) is achieved.



DIMENSIONS

Length	1675 mm
Width	1001 mm
Height	31 mm
Frame	Clear anodized aluminum
Weight	21.2 kg

COMPONENT MATERIALS

Cells per module	60
Cell type	Poly crystalline
Cell dimensions	156 mm x 156 mm
Front	tempered glass (EN 12150)

THERMAL CHARACTERISTICS

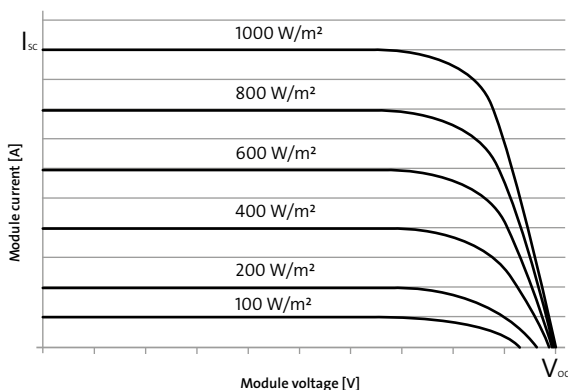
NOCT	46 °C
TC I_{sc}	0.051 %/K
TC U_{oc}	-0.31 %/K
TC P_{mpp}	-0.41 %/K

ADDITIONAL DATA

Power sorting	-0 Wp / +5 Wp
J-Box	IP65
Connector	MC4 / KSK4

PARAMETERS FOR OPTIMAL SYSTEM INTEGRATION

Maximum system voltage SC II	1000 V
Maximum reverse current	16 A
Load / dynamic load	5.4 / 2.4 kN/m ²
Number of bypass diodes	3
Operating range	-40 °C to +85 °C



Ammonia resistance tested
Periodic Inspection
Power Controlled



Qualified, IEC 61215
Safety tested, IEC 61730
Periodic Inspection
Blowing sand resistant



Your Local Dealer:

SunFields Europe

C/Lope Gomez de Marzoa - FEUGA12 - 15705 - Santiago de Compostela - Spain

Phone: 0034 981 59 58 56 - Email: info@sfe-solar.com - www.sfe-solar.com

SolarWorld AG reserves the right to make specification changes without notice.
This data sheet complies with the requirements of EN 50380.